

# iScope<sup>®</sup>

A masterpiece  
in microscopy

iScope<sup>®</sup>

MICROSCOPES FOR  
LIFE AND BIOMEDICAL  
SCIENCES

iScope



 **euromex<sup>®</sup>**



# The ideal microscope for Life and Biomedical Sciences

Euromex' more than 60 years of experience in optics and microscopy has resulted in a masterpiece in microscopy: iScope®.

Quality proven by one of Europe's leading microscope manufacturers

**iscope®**



## FEATURES

- 1 | Binocular and trinocular models
- 2 | EWF 10x/22 mm and EWF 10x/20 mm eyepieces
- 3 | Quintuple reversed nosepiece
- 4 | Plan infinity corrected IOS objectives
- 5 | 216 mm x 150 mm rackless stage
- 6 | Height adjustable Abbe condenser N.A. 1.25
- 7 | CSS - Cable Storage System
- 8 | 3 W NeoLED™ Köhler illumination
- 9 | iCare sensor
- 10 | Precise coarse and fine control

## OPTIONAL

- Multiheads
- Tilting head
- Ceramic stage
- Cardioid mirror dark field condenser with 5 W NeoLED™ illumination

# High performance optical system

Designed to be superior in accuracy and color reproduction, the highest possible resolution is reached with virtual no aberrations. Multilayer optical coatings ensure minimal light absorption and crisp images in every contrast method. Experience in ergonomics result in long working sessions without fatigue



## EYEPIECES

- Extended Wide Field EWF plan 10x eyepieces with 20 mm field of view and adjustable diopter on the left eyepiece for finity corrected systems
- Extended Wide Field HWF plan 10x eyepieces with 22 mm field of view and adjustable diopter on both eyepieces for infinity corrected IOS plan and IOS plan phase systems and adjustable diopter on the left tube for EPLi systems

## OBJECTIVES

Using advanced production techniques and multi layer coatings the objectives on iScope® are amongst the best in their class. Experience based optical design offer world class spherical aberration correction and push resolution to the next level while keeping crisp color true images. Combining the latest CNC and assembly techniques enable perfect centration of objectives.

## OBJECTIVES

	4x/0.10	10x/0.25	20x/0.40	S40x/0.65	S60x/0.85 <sup>(1)</sup>	S100x/1.25 oil
E-Plan EPL	•	•	• <sup>(1)</sup>	•		•
E-Plan EPLi IOS	•	•	• <sup>(1)</sup>	•		•
Plan PLi IOS	•	•	• <sup>(1)</sup>	•	• <sup>(1)</sup>	•
Plan phase PLPH		•	•	•		•
Plan phase PLPHi IOS		•	•	•		•

(1) optional. All optics are anti-fungus treated and anti-reflection coated for maximum light throughput

Advance design, high quality glass and multilayer coatings of the iScope® ensure crisp clear images



# Modern and ergonomic design

A design that exceeds today's standard providing more comfort and convenience for microscopists. Ergonomic features like height adjustable eyepieces, set up minimize fatigue during long working sessions. The modern, compact size of the iScope® and his Cable Storage System allows more working space, safer operation and enables easy storage



iScope® with tilting head

## HEADS

The iScope® is standard equipped with binocular and trinocular Siedentopf type heads with an ergonomical 30° inclination for the most comfortable viewing position. A unique swiveling rotating system allows positioning of both tubes in a high and in a low position (431 mm and 397 mm) for maximum user comfort. The interpupillary distance is adjustable from 48 to 76 mm. This makes sure that every user can find his optimal eye position. The large  $\pm 5$  diopter adjustment(s) ensure that differences between the operators eyes can always be corrected

The trinocular head comes with a  $\varnothing 23.2$  mm photo port, ensuring maximum flexibility and acceptance of all major camera brands. The prisms inside the heads are designed to minimize the light absorption for perfect digital imaging

iScope® comes with double fine and coarse focus control. Anti-slip coated, and low-positioned adjustment knobs provide maximum user comfort during long microscopy sessions. The friction of the focus controls can be adjusted to the user preference. A adjustable rack stop will prevent damage to sample and objectives

## ERGONOMICAL TILTING HEAD

*(only available for infinity corrected models)*

The viewing angle of the iScope® optional ergonomic tilting head can be adjusted between 5 to 35°. This head is ideal for working environments where many operators share their microscope for long working sessions. Interpupillary distance 48-75 mm, optional photo attachment with standard  $\varnothing 23.2$  mm tube

## MULTIHEAD SYSTEM

*(Ideal for education)*

The iScope® can be extended with a unique multihead system for in total 2, 3 or 5 heads allowing simultaneous observations of specimens. The central attachment is equipped with a joystick to move a green or red laser pointer across the entire field of views of all heads. Configurations with one, two or four additional viewing binocular heads, 30° inclined tubes and plan 4x, 10x, S40, S100x oil immersion infinity corrected IOS objectives. Each extra viewing binocular head is equipped with extended wide field plan EWF 10x/20 mm eyepieces

# Mechanical stages for all applications

Beside a standard mechanical stage, the iScope® offers also a rackless mechanical stage without sharp edges protruding from the sides of the microscope for improved safety or even a ceramic coated stage for harsh environments and scratch resistant



## STAGES

The iScope® can be equipped a standard mechanical stage, an optional ceramic coated stage for harsh environments or even a rackless stage for fast positioning of sample

- 140 x 160 mm metal stage equipped with integrated 79 x 52 mm X-Y mechanical stage
- 216 x 150 mm rackless metal stage equipped with double slide holder and integrated 79 x 52 mm X-Y mechanical stage. The iScope® rackless stage has no protruding parts, enables more smooth movements and is safer
- 220 x 157 mm ceramic stage with integrated 75 x 50 mm X-Y mechanical stage protects the surface against marks and scratches

All stages are equipped with low positioned controls for maximum user comfort

The metal stages can be equipped with a heating system up to 50° Celsius and are supplied with PID temperature controller. Only available off factory. Higher temperatures can be achieved on special request



Normal stage



Rackless stage

The large size mechanical stages with double slide holder make routine work easier. The iScope® rackless stage has no protruding parts, enables convenient and smooth positioning, and guarantees longer durability





# Contrast methods for a large range of applications

Besides the brightfield contrast method, configurations for phase contrast, cardioid mirror dark field, basic polarization and several epi-illumination sources for fluorescence applications can be used



## BRIGHTFIELD

The standard height adjustable Abbe N.A. 1.25 condenser for brightfield comes with magnification indications and even accepts sliders with phase annuli. This makes it versatile and suitable for plan phase 10x/20x or S40x/S100x oil immersion IOS objectives for economical phase contrast. A slider with a simple dark stop for dark field up to 400x magnification is also available

## DARK FIELD

A state-of-the-art condenser equipped with a custom designed reflective cardioid mirrors, a high powered 5 W LED light source and a S100x objective with built-in iris diaphragm enable a real 1000x magnification dark field solution for the most demanding professionals

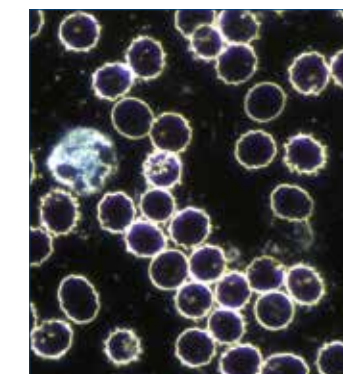
## ZERNIKE PHASE CONTRAST

Height adjustable Zernike NA. 1.25 phase contrast disc condenser with plan phase 10/20/S40x and S100x oil immersion objectives and dark field stop position for dark field contrast up to 400x magnification. Centering telescope is included

## KÖHLER ILLUMINATION

It provides high contrast and a maximum achievable resolving power of the optics. Generating even illumination of the sample and eliminates all interference from dust on lenses and side glare of the light source.

All infinity models of iScope® are standard equipped with a Köhler illumination. Available for other models as option



Dark field image of live blood cells

Select IS.1152-PLi/DF and IS.1153-PLi/DF for models with cardioid dark field condenser with integrated power supply or use part numbers IS.9150 and 86.521 to upgrade your existing iScope® model

# Intelligent features for enhanced performance

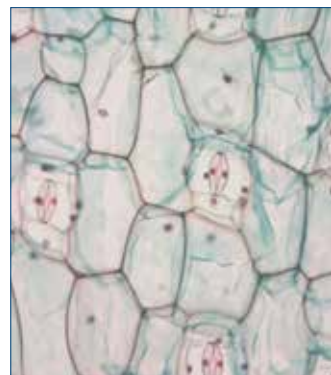
The iScope® is equipped with numerous intelligent functions and designed for improved performance. New features that ensure that the ensure iScope® is ready for any future requirements



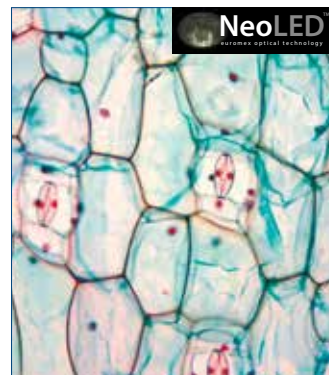
## NEOLED

3 W adjustable Köhler NeoLED™ diascope illumination is powered by an internal 100-240 V power supply making it suitable for world wide use. The innovative NeoLED™ design is a combination of a custom LED and a specially designed thin lens with a short focal length

The NeoLED™ design offer larger apertures, allowing the optical system of the iScope® microscope to produce images at higher resolutions, very close to the theoretical diffraction limit of the optics. Other benefits of the NeoLED™ is the low energy consumption, no heating and a long operating lifetime



Normal LED



NeoLED™

## CSS – CABLE STORAGE SYSTEM

iScope® allows users to easily insert the power cable into the backside of the instrument, prevents excess cable length for a safer working environment. Roll up the cable completely for easy storage

## CARRYING GRIP

The integrated carrying grip at the back of the microscope ensures safe transportation of the microscope

## PACKAGING

Smart Styrofoam packaging ensures a low environmental footprint while maintaining maximum safety during transport. Supplied with power cord, dust cover, tools, a spare fuse, white and green filter (depending on model), user manual and 5 ml immersion oil

## YOUTUBE

Check out the product video on YouTube and learn more about this microscope  
YouTube channel: [Euromex Optics Group B.V.](#)





# Technical specifications

	Binocular	Trinocular	Ergonomic tilting head	Photo attachment	Darkfield	Phase contrast	EWF 10x/20 mm eyepieces (Ø 23.2 mm tube)	EWF 10x/22 mm eyepieces (Ø 30 mm tube)	Diopter adjustable (Ø 23.2 mm tube)	Diopter adjustable (Ø 30 mm tube)	E-plan EPL 4x/10x/S40x/S100x oil objectives	E-plan EPL 4x/10x/S40x/S100x objectives	Plan phase PLPH 10x/20x/S40x/S100x objectives	Plan PLi 4x/10x/S40x/S100x objectives	Plan phase PLPHi 10x/20x/S40x/S100x objectives	Mechanical stage (140 x 160 mm)	i-Care Sensor	Köhler LED
<b>FINITY MODELS</b>																		
IS.1152-EPL	•					•					•							
IS.1153-EPL		•				•					•							
IS.1152-PLPH	•				•	•					•							
IS.1153-PLPH		•			•	•					•							

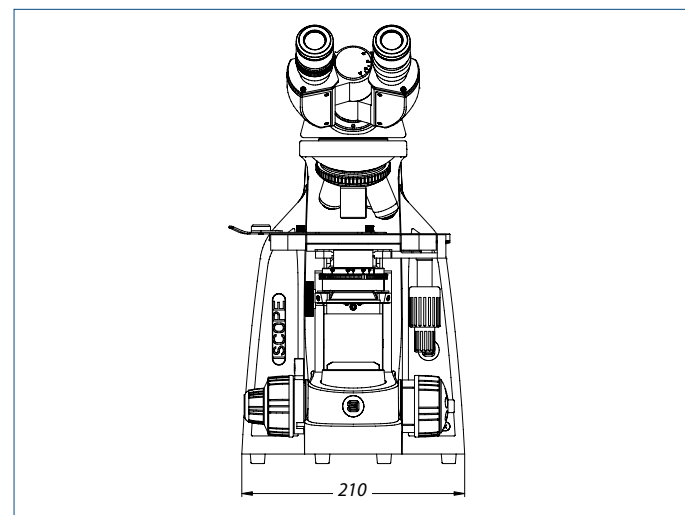
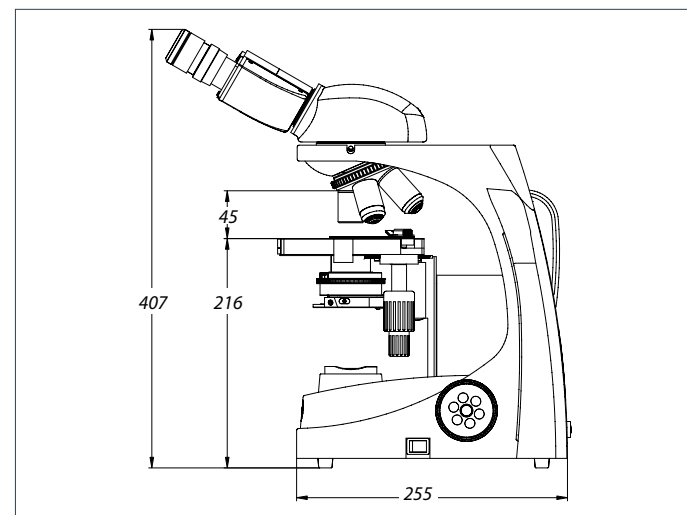
	Binocular	Trinocular	Ergonomic tilting head	Photo attachment	Darkfield	Phase contrast	EWF 10x/20 mm eyepieces (Ø 23.2 mm tube)	EWF 10x/22 mm eyepieces (Ø 30 mm tube)	Diopter adjustable (Ø 23.2 mm tube)	Diopter adjustable (Ø 30 mm tube)	E-plan EPL 4x/10x/S40x/S100x oil objectives	E-plan EPL 4x/10x/S40x/S100x objectives	Plan phase PLPH 10x/20x/S40x/S100x objectives	Plan PLi 4x/10x/S40x/S100x objectives	Plan phase PLPHi 10x/20x/S40x/S100x objectives	Mechanical stage (140 x 160 mm)	i-Care Sensor	Köhler LED
<b>INFINITY MODELS</b>																		
IS.1152-EPLi	•						•	•						•				•
IS.1153-EPLi		•					•	•						•				•
IS.1152-PLi	•						•	•						•				•
IS.1153-PLi		•					•	•						•				•
IS.1152-PLPHi	•				•		•	•						•				•
IS.1153-PLPHi		•			•		•	•						•				•
IS.1158-EPLi	•	•				•	•	•						•				•
IS.1159-EPLi	•	•	•			•	•	•						•				•
IS.1158-PLi	•	•				•	•	•						•				•
IS.1159-PLi	•	•	•			•	•	•						•				•
IS.1158-PLPHi	•	•			•		•	•						•				•
IS.1159-PLPHi	•	•	•		•		•	•						•				•

	Binocular	Trinocular	Ergonomic tilting head	Photo attachment	Darkfield	Phase contrast	EWF 10x/20 mm eyepieces (Ø 23.2 mm tube)	EWF 10x/22 mm eyepieces (Ø 30 mm tube)	Diopter adjustable (Ø 23.2 mm tube)	Diopter adjustable (Ø 30 mm tube)	E-plan EPL 4x/10x/S40x/S100x oil objectives	E-plan EPL 4x/10x/S40x/S100x objectives	Plan phase PLPH 10x/20x/S40x/S100x objectives	Plan PLi 4x/10x/S40x/S100x objectives	Plan phase PLPHi 10x/20x/S40x/S100x objectives	Mechanical stage (140 x 160 mm)	i-Care Sensor	Köhler LED
<b>MULTIHEAD SYSTEMS</b>																		
IS.1156-PLi2	1x	•					•							•				•
IS.1156-PLi3	2x	•					•							•				•
IS.1156-PLi5	4x	•					•							•				•

	Binocular	Trinocular	Ergonomic tilting head	Photo attachment	Darkfield	Phase contrast	EWF 10x/20 mm eyepieces (Ø 23.2 mm tube)	EWF 10x/22 mm eyepieces (Ø 30 mm tube)	Diopter adjustable (Ø 23.2 mm tube)	Diopter adjustable (Ø 30 mm tube)	E-plan EPL 4x/10x/S40x/S100x oil objectives	E-plan EPL 4x/10x/S40x/S100x objectives	Plan phase PLPH 10x/20x/S40x/S100x objectives	Plan PLi 4x/10x/S40x/S100x objectives	Plan phase PLPHi 10x/20x/S40x/S100x objectives	Mechanical stage (140 x 160 mm)	i-Care Sensor	Köhler LED
<b>DARKFIELD CONTRAST APPLICATIONS*</b>																		
IS.1152-PLi-DF	•				•		•	•						•				•
IS.1153-PLi-DF		•			•		•	•						•				•

\* With cardioid oil-immersion condenser with 5 Watt LED. The 100x objective with built-in iris diaphragm replaces the standard 100x objective

## DIMENSIONS



# Accessories and spare parts

## FINITY MODELS

- IS.6010** EWF 10x / 20 mm eyepiece (Ø 23.2 mm tube)
- IS.6010-P** EWF 10x / 20 mm eyepiece with pointer
- IS.6010-CM** EWF 10x / 20 mm eyepiece with 10/100 micrometer and cross hair
- IS.6015** EWF 15x / 16 mm (Ø 23.2 mm tube)
- IS.6020** EWF 20x / 12 mm (Ø 23.2 mm tube)
- IS.6099** Pair of eyecups for finity models

- IS.7104** E-plan EPL 4x / 0.10 objective
- IS.7110** E-plan EPL 10x / 0.25 objective
- IS.7120** E-plan EPL 20x / 0.40 objective
- IS.7140** E-plan EPL S40x / 0.65 objective
- IS.7160** E-plan EPL S60x / 0.85 objective
- IS.7100** E-plan EPL S100x / 1.25 oil immersion objective

- IS.7710** Plan phase PLPH 10x / 0.25 objective
- IS.7720** Plan phase PLPH 20x / 0.40 objective
- IS.7740** Plan phase PLPH S40x / 0.65 objective
- IS.7700** Plan phase PLPH S100x / 1.25 oil immersion objective

- 86.521** Plan PL S100x/1.25 oil immersion objective with iris diaphragm

## INFINITY MODELS

- IS.5700** Ergonomic tilting head IOS series
- IS.9800** Photo tube for IS.5700 (Ø 23.2 mm tube)

- IS.6011** EWF 10x / 22 mm eyepiece
- IS.6210** EWF 10x / 22 mm eyepiece (Ø 30 mm tube)
- IS.6210-P** EWF 10x / 22 mm eyepiece with pointer
- IS.6210-CM** EWF 10x / 22 mm eyepiece with 10/100 micrometer and cross hair
- IS.6215** EWF 15x / 16 mm (Ø 30 mm tube)
- IS.6220** EWF 20x / 12 mm (Ø 30 mm tube)
- IS.6299** Pair of eyecups for infinity models

- IS.7204** Plan PLi 4x/0.10 IOS objective, infinity corrected
- IS.7210** Plan PLi 10x/0.25 IOS objective, infinity corrected
- IS.7220** Plan PLi 20x/0.40 IOS objective, infinity corrected
- IS.7240** Plan PLi S40x/0.65 IOS objective, infinity corrected
- IS.7260** Plan PLi S60x/0.85 IOS objective, infinity corrected
- IS.7200** Plan PLi S100x/1.25 IOS objective, infinity corrected

- IS.7200-I** Plan PLi S100x/1.25 IOS objective with iris diaphragm

- IS.8804** E-plan EPLi 4x/0.10 IOS objective, infinity corrected
- IS.8810** E-plan EPLi 10x/0.25 IOS objective, infinity corrected
- IS.8820** E-plan EPLi 20x/0.40 IOS objective, infinity corrected
- IS.8840** E-plan EPLi S40x/0.65 IOS objective, infinity corrected
- IS.8800** E-plan EPLi S100x/1.25 IOS objective, infinity corrected

- IS.8910** Plan phase PLPHi 10x/0.25 IOS objective, infinity corrected
- IS.8920** Plan phase PLPHi 20x/0.40 IOS objective, infinity corrected
- IS.8940** Plan phase PLPHi S40x/0.65 IOS objective, infinity corrected
- IS.8900** Plan phase PLPHi S100x/1.25 IOS objective, infinity corrected

## FINITY AND INFINITY MODELS

- IS.9102** Standard Abbe condenser 1.25 NA with slot for dark field and phase contrast sliders
- IS.9105** Swing-out 0.9/1.25 NA condenser
- IS.9124** Zernike phase contrast set with PLPH 10/20/40/100x objectives and rotating phase contrast condenser with bright and dark field position. With green opaque filter
- IS.9149** Telescope for phase contrast (Ø 23.2 mm tube)
- IS.9150** Cardioid dark field condenser with integrated 5 W LED light source and external 100-240 V mains adapter

- IS.9160** Phase contrast slider set with PLPH 10/40x objectives and slider (with green opaque filter)
- IS.9161** Phase contrast slider set with PLPH 20/100x objectives and slider (with green opaque filter)
- IS.9170** Slider with darkfield stop

- AE.5168-I** Heating stage for iScope series with controller, Only with new purchased microscopes

- IS.9503** Large ceramic stage 220 x 157 mm. Only with new purchased microscopes (add /C suffix after iScope® model part number)

- IS.9600** Polarization filter for lamp house (45 mm)
- IS.9700** Blue opaque filter for lamp house (45 mm)
- IS.9702** Green opaque filter for lamp house (45 mm)
- IS.9704** Yellow opaque filter for lamp house (45 mm)
- IS.9710** White opaque filter for lamp house (45 mm)

- IS.9880** Köhler LED attachment
- SL.5500** NeoLED™ replacement unit for iScope

- PB.5155** Microscope slides 76 x 26 mm, ground edges, 50 pieces
- PB.5165** Cover glasses 18 x 18 mm, thickness 0.13-0.17 mm, 100 pieces
- PB.5168** Cover glasses 22 x 22 mm, thickness 0.13-0.17 mm, 100 pieces
- PB.5245** Lens cleaning paper, 100 sheets per pack
- PB.5255** Immersion oil, n = 1.482 (25 ml)
- PB.5274** Isopropyl alcohol 99% (200 ml)
- PB.5275** Cleaning kit: lens cleaning fluid, lint free lens tissue, brush, air blower, cotton swabs



Management System  
ISO 9001:2008  
www.tuv.com  
ID 0000037140

The Euromex Quality system is certified according to ISO 9001:2008 and supports our pursuit of continuous improvement and our on-going commitment to provide our world-wide customers



## HEADQUARTERS SALES EXPORT OFFICE

### **Euromex Microscopen bv**

Papenkamp 20  
6836 BD Arnhem  
The Netherlands  
Tel: +31 (0) 26 323 22 11  
info@euromex.com

### **Euromex Microscopen Spain sl**

Carretera de Barcelona 88, Entresuelo  
Edificio Technomar  
08302 Mataró, Spain  
Tel: +34 (0) 937 415 609  
info@euromex.com

**[www.euromex.com](http://www.euromex.com)**